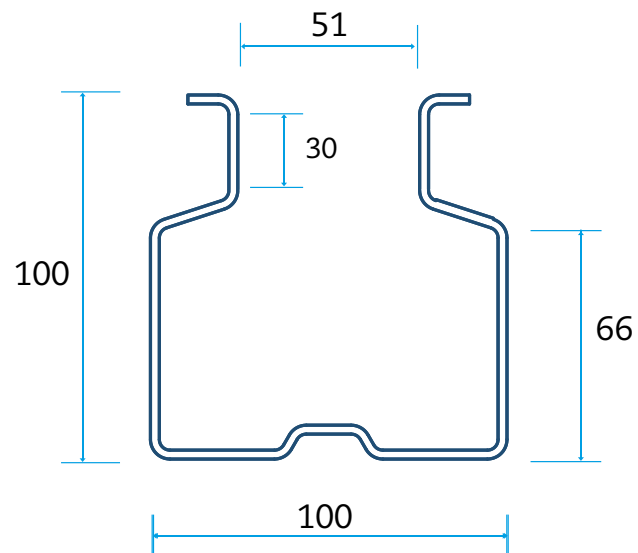
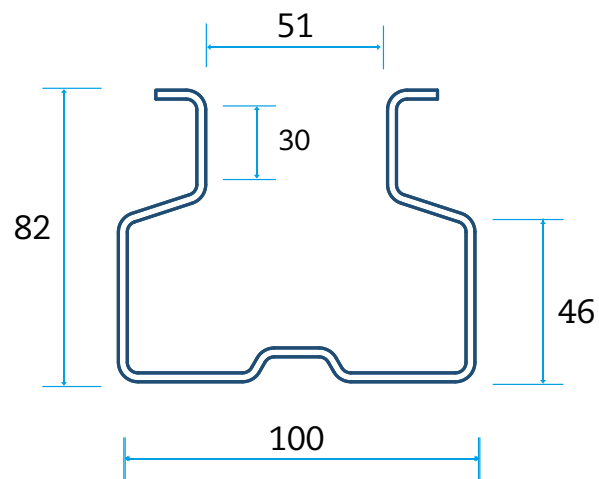


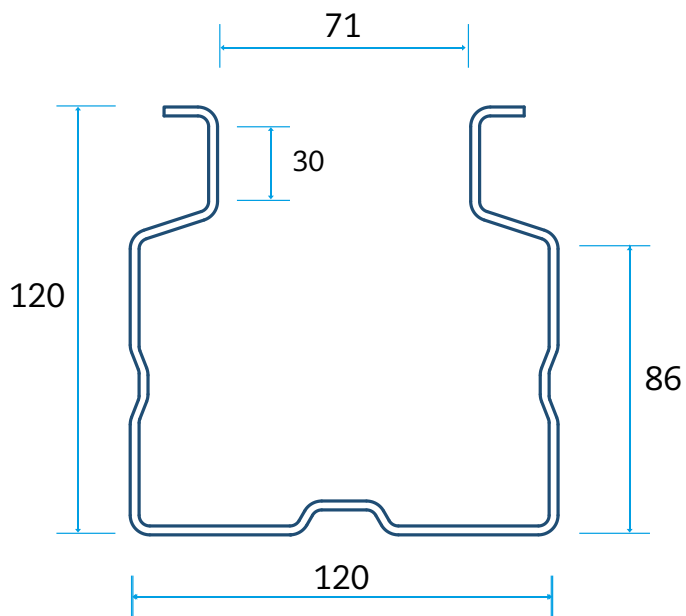
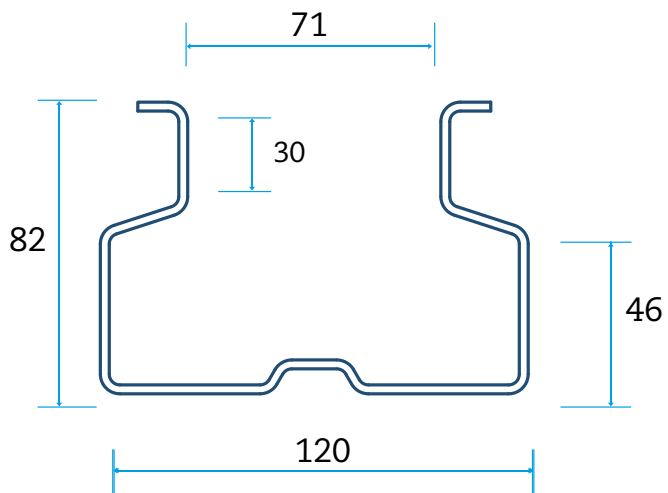


PUNTAL PROFILE

Steel profiles

Manufacturing possibilities
Thicknesses: 1,5 / 1,8 / 2 / 2,5 / 3 mm
Custom punching





** For tables with mechanical characteristics, contact BRAUSA.
For selections not included please consult manufacturing possibilities.*